

Rexnord® TableTop® Chains



New 1873 Gripper Chains K325 - K450

Rexnord FlatTop introduces new version of gripper chains with width of 3.25" (82,5mm) and 4.50" (114,3mm). These new products are the answer to the need for more compact design of conveyors.

These chains will take advantage from HP™ and PS™ material to improve low friction properties as well as high speed capability.

Rubber elements can be replaced using a standard conical tip plier.

NEW PLATE TOP GRIPPER CHAINS



OLD VERSION LF - Black Gripper		OLD VERSION LF - Grey Gripper		OLD VERSION HP™		NEW VERSION HP™	
Chain Type	Code	Chain Type	Code	Chain Type	Code	Chain Type	Code
LF1873TAB-K375 GDB	L1873606501			HP 1873 TAB-K375 GSD	L1873677162	HP 1873 TAB-K325 GSD	L1873628703
LF1873TABSS-K375 GDB	L1873606521			HP 1873 TAB-K473 GSD	L1873677182	HP 1873 TAB-K450 GSD	L1873631143
				HP 1873 TABSS-K375 GSD	L1873677172	HP 1873 TABSS-K325 GSD	L1873628753
				HP 1873 TABSS-K473 GSD	L1873677192	HP 1873 TABSS-K450 GSD	L1873631383
				HP 1873 TAB-K375 GS2J	L1873646792	HP 1873 TAB-K325 GS2J	L1873628693
				HP 1873 TAB-K473 GS2J	L1873646802	HP 1873 TAB-K450 GS2J	L1873628713
				HP 1873 TABSS-K375 GS2J	L1873646812	HP 1873 TABSS-K325 GS2J	L1873628743
				HP 1873 TABSS-K473 GS2J	L1873646822	HP 1873 TABSS-K450 GS2J	L1873628763
LF1873TAB-K375 GJB	L1873646931	LF1873TAB-K375 GJG	L1873603006	HP 1873 TAB-K375 GS3J	L1873677082	HP 1873 TAB-K325 GS3J	L1873628673
LF1873TABSS K375 GJB	L1873685301	LF1873TABSS-K375 GJG	L1873602316	HP 1873 TAB-K473 GS3J	L1873677102	HP 1873 TAB-K450 GS3J	L1873631773
				HP 1873 TABSS-K375 GS3J	L1873677092	HP 1873 TABSS-K325 GS3J	L1873628723
				HP 1873 TABSS-K473 GS3J	L1873677112	HP 1873 TABSS-K450 GS3J	L1873632733
				HP 1873 TAB-K375 GS3JA	L1873677122	HP 1873 TAB-K325 GS3JA	L1873628683
				HP 1873 TAB-K473 GS3JA	L1873677142	HP 1873 TAB-K450 GS3JA	L1873631863
				HP 1873 TABSS-K375 GS3JA	L1873677132	HP 1873 TABSS-K325 GS3JA	L1873628733
				HP 1873 TABSS-K473 GS3JA	L1873677152	HP 1873 TABSS-K450 GS3JA	L1873631873

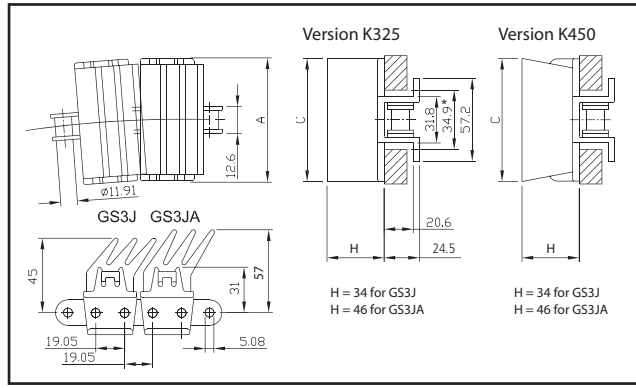
The change is active only in countries served from Europe, as in USA the old design is still the standard

PS™ VERSION Available

* Please check datasheet attached

** The width of the rubber is exactly the same as the width of the chain for the best product handling

NEW PLATE TOP GRIPPER CHAINS



Chain type	Code nr.	Plate width A		Gripper width C	Weight	Working load (max.) 21°C	Sideflex radius (min.)	Connection link	
		mm	inch					type	code nr.
HP-ACETAL TOP PLATE/STEEL BASE CHAIN									
HP 1873 TAB-K325 GS3J	L1873628673	82.5	3.25	82.5	2.90	4500	381	CL-63	36742
HP 1873 TAB-K450 GS3J	L1873631773*	114.3	4.50	107	3.00				
HP-ACETAL TOP PLATE/STAINLESS STEEL BASE CHAIN									
HP 1873 TABSS-K325 GS3J	L1873628723	82.5	3.25	82.5	2.90	3400	381	CL-63 SS	36747
HP 1873 TABSS-K450 GS3J	L1873632733*	114.3	4.50	107	3.00				
HP-ACETAL TOP PLATE/STEEL BASE CHAIN									
HP 1873 TAB-K325 GS3JA	L1873628683	82.5	3.25	82.5	2.90	4500	381	CL-63	36742
HP 1873 TAB-K450 GS3JA	L1873631863	114.3	4.50	109	3.00				
HP-ACETAL TOP PLATE/STAINLESS STEEL BASE CHAIN									
HP 1873 TABSS-K325 GS3JA	L1873628733	82.5	3.25	82.5	2.90	3400	381	CL-63 SS	36747
HP 1873 TABSS-K450 GS3JA	L1873631873	114.3	4.50	109	3.00				

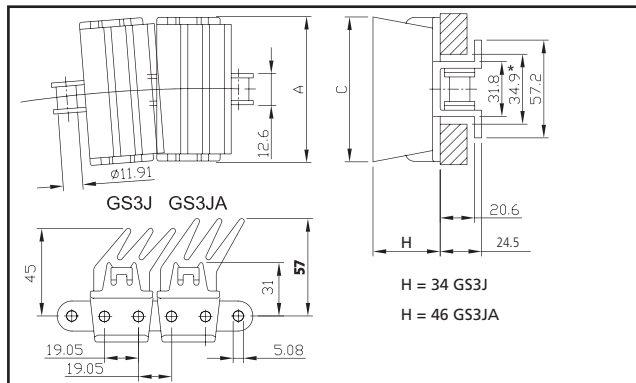
Standard length : 3.048 m – 10 feet (160 links). Gripper: EPDM grey; 55 shore A hardness (for GS3J). Grey; 45 shore A hardness (for GS3JA).

* On request.

OLD PLATE TOP GRIPPER CHAINS



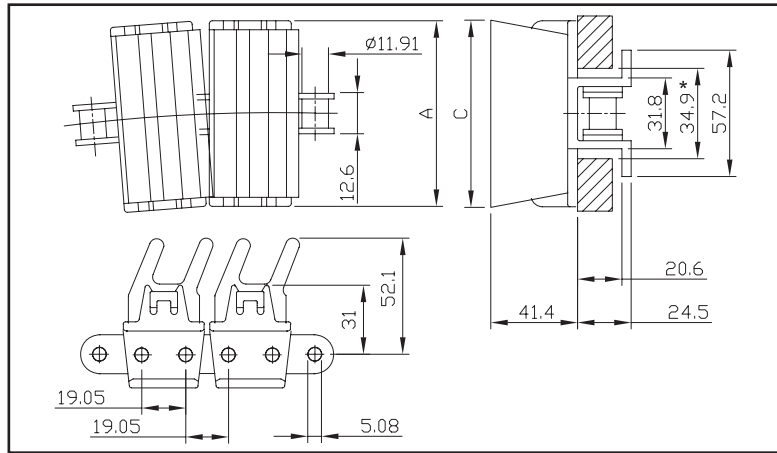
**OLD VERSION K375-K473
will be available made to order**



Chain type	Code nr.	Plate width A		Gripper width C	Weight	Working load (max.) 21°C	Sideflex radius (min.)	Connection link	
		mm	inch					type	code nr.
HP-ACETAL TOP PLATE/STEEL BASE CHAIN									
HP 1873 TAB-K375 GS3J	L1873677082	95.3	3.75	87	2.90	4500	381	CL-63	36742
HP 1873 TAB-K473 GS3J	L1873677102	120.0	4.73	112	3.00				
HP-ACETAL TOP PLATE/STAINLESS STEEL BASE CHAIN									
HP 1873 TABSS-K375 GS3J	L1873677092	95.3	3.75	87	2.90	3400	381	CL-63 SS	36747
HP 1873 TABSS-K473 GS3J	L1873677112	120.0	4.73	112	3.00				
HP-ACETAL TOP PLATE/STEEL BASE CHAIN									
HP 1873 TAB-K375 GS3JA	L1873677122	95.3	3.75	90	2.90	4500	381	CL-63	36742
HP 1873 TAB-K473 GS3JA	L1873677142	120.0	4.73	115	3.00				
HP-ACETAL TOP PLATE/STAINLESS STEEL BASE CHAIN									
HP 1873 TAB SS-K375 GS3JA	L1873677132	95.3	3.75	90	2.90	3400	381	CL-63 SS	36747
HP 1873 TAB SS-K473 GS3JA	L1873677152	120.0	4.73	115	3.00				

Standard length : 3.048 m – 10 feet (160 links). Gripper: EPDM grey; 55 shore A hardness (for GS3J). Black; 45 shore A hardness (for GS3JA).

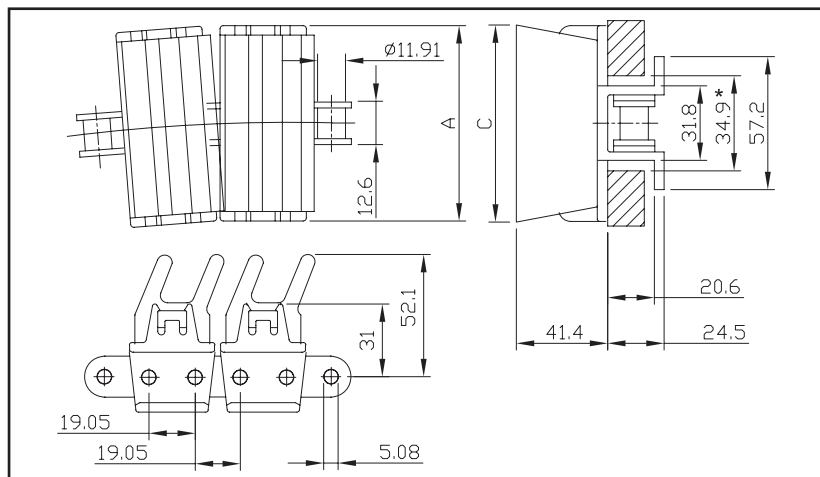
NEW PLATE TOP GRIPPER CHAINS



Chain type	Code nr.	Plate width A		Gripper width C	Weight	Working load (max.) 21°C	Sideflex radius (min.)	Connection link	
		mm	inch					type	code nr.
HP-ACETAL TOP PLATE/STEEL BASE CHAIN									
HP 1873 TAB-K325 GS2J	L1873628693	82.5	3.25	77	2.90	4500	381	CL-63	36742
HP 1873 TAB-K450 GS2J	L1873628713	114.3	4.50	108	3.00				
HP-ACETAL TOP PLATE/STAINLESS STEEL BASE CHAIN									
HP 1873 TABSS-K325 GS2J	L1873628743	82.5	3.25	77	2.90	3400	381	CL-63 SS	36747
HP 1873 TABSS-K450 GS2J	L1873628763	114.3	4.50	108	3.00				

Standard length: 3.048 m – 10 feet (160 links). Gripper: EPDM black; 45 shore A hardness.

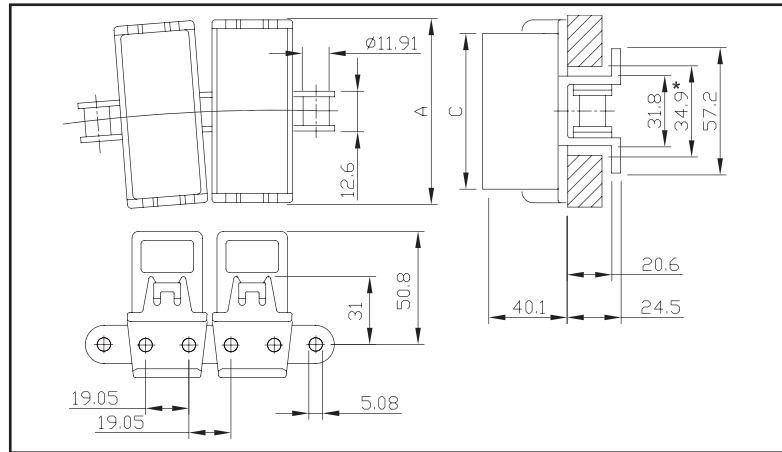
OLD PLATE TOP GRIPPER CHAINS



Chain type	Code nr.	Plate width A		Gripper width C	Weight	Working load (max.) 21°C	Sideflex radius (min.)	Connection link	
		mm	inch					type	code nr.
HP-ACETAL TOP PLATE/STEEL BASE CHAIN									
HP 1873 TAB-K375 GS2J	L1873646792	95.3	3.75	88	2.90	4500	381	CL-63	36742
HP 1873 TAB-K473 GS2J	L1873646802	120.0	4.73	113	3.00				
HP-ACETAL TOP PLATE/STAINLESS STEEL BASE CHAIN									
HP 1873 TABSS-K375 GS2J	L1873646812	95.3	3.75	88	2.90	3400	381	CL-63 SS	36747
HP 1873 TABSS-K473 GS2J	L1873646822	120.0	4.73	113	3.00				

Standard length: 3.048 m – 10 feet (160 links). Gripper: EPDM black; 45 shore A hardness.

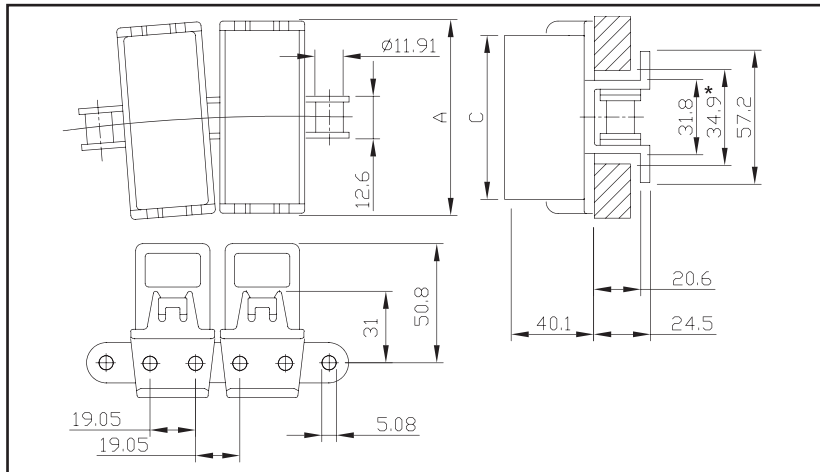
NEW PLATE TOP GRIPPER CHAINS



Chain type	Code nr.	Plate width A		Gripper width C	Weight	Working load (max.) 21°C	Sideflex radius (min.)	Connection link	
		mm	inch					type	code nr.
HP-ACETAL TOP PLATE/STEEL BASE CHAIN									
HP 1873 TAB-K325 GSD	L1873628703	82.5	3.25	70	2.90	4500	381	CL-63	36742
HP 1873 TAB-K450 GSD	L1873631143	114.3	4.50	102	3.00				
HP-ACETAL TOP PLATE/STAINLESS STEEL BASE CHAIN									
HP 1873 TABSS-K325 GSD	L1873628753	82.5	3.25	70	2.90	3400	381	CL-63 SS	36747
HP 1873 TABSS-K450 GSD	L1873631383	114.3	4.50	102	3.00				

Standard length: 3.048 m – 10 feet (160 links). Gripper: EPDM grey; 50 shore A hardness.

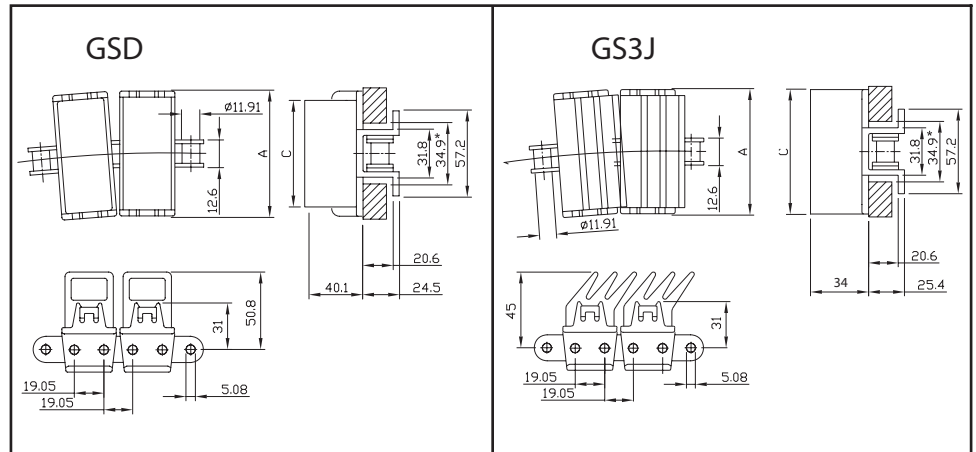
OLD PLATE TOP GRIPPER CHAINS



Chain type	Code nr.	Plate width A		Gripper width C	Weight	Working load (max.) 21°C	Sideflex radius (min.)	Connection link	
		mm	inch					type	code nr.
HP-ACETAL TOP PLATE/STEEL BASE CHAIN									
HP 1873 TAB-K375 GSD	L1873677162	95.3	3.75	82	2.90	4500	381	CL-63	36742
HP 1873 TAB-K473 GSD	L1873677182	120.0	4.73	107	3.00				
HP-ACETAL TOP PLATE/STAINLESS STEEL BASE CHAIN									
HP 1873 TABSS-K375 GSD	L1873677172	95.3	3.75	82	2.90	3400	381	CL-63 SS	36747
HP 1873 TABSS-K473 GSD	L1873677192	120.0	4.73	107	3.00				

Standard length: 3.048 m – 10 feet (160 links). Gripper: EPDM grey; 50 shore A hardness.

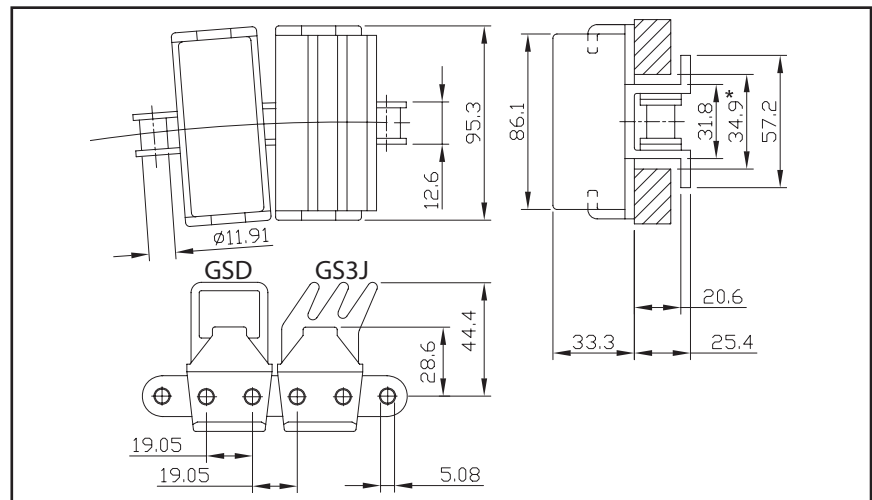
NEW PLATE TOP GRIPPER CHAINS



Chain type	Code nr.	Plate width A		Gripper width C	Weight Kg/m	Working load (max.) 21°C N	Sideflex radius (min.) mm	Connection link	
		mm	inch	mm				type	code nr.
HP-ACETAL TOP PLATE/STEEL BASE CHAIN									
HP 1873 TAB-K325 GSD	L1873628703	82.5	3.25	70	2.90	4500	381	CL-63	36742
HP 1873 TAB-K325 GS3J	L1873628673	82.5	3.25	82.5					
HP-ACETAL TOP PLATE/STAINLESS STEEL BASE CHAIN									
HP 1873 TABSS-K325 GSD	L1873628753	82.5	3.25	70	2.90	3400	381	CL-63 SS	36747
HP 1873 TABSS-K325 GS3J	L1873628723	82.5	3.25	82.5					

Standard length: 3.048 m – 10 feet (160 links). Gripper: EPDM grey; 50 shore A hardness.

OLD PLATE TOP GRIPPER CHAINS



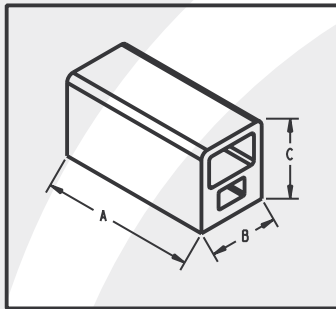
Chain type	Code nr.	Plate width		Weight	Working load (max.) N (21°C)	Sideflex radius (min.) mm	Connection link	
		mm	inch	kg/m			type	code nr.
LF-ACETAL TOP PLATE/STEEL BASE CHAIN								
LF 1873 TAB-K375 GDB	L1873606501	95.3	3.75	2.80	4500	381	CL-63	36742
LF 1873 TAB-K375 GJB	L1873646931							
LF-ACETAL TOP PLATE/STAINLESS STEEL BASE CHAIN								
LF 1873 TABSS-K375 GDB	L1873606521	95.3	3.75	2.80	3400	381	CL-63 SS	36747
LF 1873 TABSS-K375 GJB	L1873685301							

Standard length : 3.048 m – 10 feet (160 links). Gripper : EPDMblack, 50 shore A hardness.

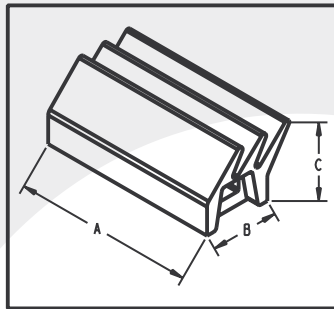
GRIPPER ATTACHMENTS



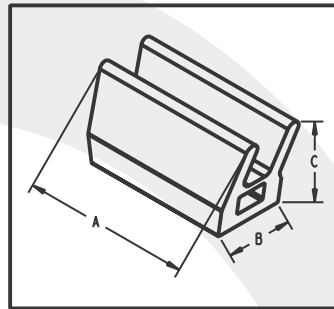
D



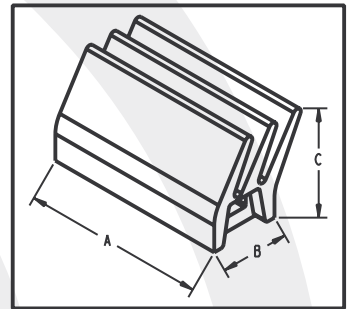
GS3J



GS2J



GS3JA



Gripper NEW VERSION		Style	Material	Colour	Hardness (Shore A)	"A" Dimension mm	"B" Dimension mm	"C" Dimension mm	Note
Description	Code								
G-1873-K325 GSD GREY 55S	L1873631743	D	EPDM	Grey	55	69,8	31,3	36	
G-1873-K450 GSD GREY 55S	L1873632763	D	EPDM	Grey	55	101,5	31,3	36	
G-1873-K325 GS2J	L1873632773	GS2J	EPDM	Black	45	76,7	31,1	37,3	
G-1873-K450 GS2J	L1873630843	GS2J	EPDM	Black	45	108,1	31,1	37,3	
G-1873-K325 GS3J GREY 55Sh	L1873631423	GS3J	EPDM	Grey	55	82,6	31,3	31,2	
G-1873-K450 GS3J G.EPDM 55S INCL	L1873631763	GS3J	EPDM	Grey	55	107,4	31,3	32	Made to Order
G-1873-K325 GS3JA 45Sh	L1873631563	GS3JA	EPDM	Grey	45	82,6	31,3	43,1	
G-1873-K450 GS3JA 45Sh	L1873632783	GS3JA	EPDM	Grey	45	109,3	31,3	42,1	Made to Order

**AUSTRALIA**

Rexnord Australia Pty. Ltd.
Picton, New South Wales
Phone: 61-2-4677-3811
Fax: 61-2-4677-3812

BRAZIL

Rexnord Correntes Ltda.
Sao Leopoldo - RS
Phone: 55-51-579-8022
Fax: 55-51-579-8029

CANADA

Rexnord Canada Ltd.
Scarborough, Ontario
Phone: 1-416-297-6868
Fax: 1-416-297-6873

CHINA

Rexnord China
Shanghai
Phone: 86-21-62701942
Fax: 86-21-62701943

FLATTOP EUROPE

Rexnord FlatTop Europe b.v.
's-Gravenzande, The Netherlands
Phone: 31-174-445-111
Fax: 31-174-445-222

Rexnord Marbett S.r.L.
Correggio (RE), Italy
Phone: 39-0522-639333
Fax: 39-0522-637778

UNITED STATES

Customer Service
Phone: 1-866-REXNORD
(1-866-739-6673)
Fax: 1-614-675-1898
E-mail: rexnordcs(state)@rexnord.com
Example: rexnordcsohio@rexnord.com

Rexnord FlatTop North America
Grafton, Wisconsin
Phone: 1-262-376-4700
Fax: 1-262-376-4720

Rexnord International - Power Transmisson
Milwaukee, Wisconsin
Phone: 1-414-643-2366
Fax: 1-414-643-3222
E-mail: international2@rexnord.com

ALL COUNTRIES NOT LISTED

Rexnord FlatTop Europe b.v.
's-Gravenzande, The Netherlands
Phone: 31-174-445-111
Fax: 31-174-445-222

After Hours/Emergency Phone:
31-174-445-112